

The **ATC 652** is a micro-processor-based timer with a 4-1/2 digit LCD display that can provide an indication of either preset time remaining or elapsed. There are five timing ranges covering time values from one millisecond to 199 hours 59 minutes. The unit has both an instantaneous relay output and a programmable relay output which can be programmed for any one of 14 different timing modes.

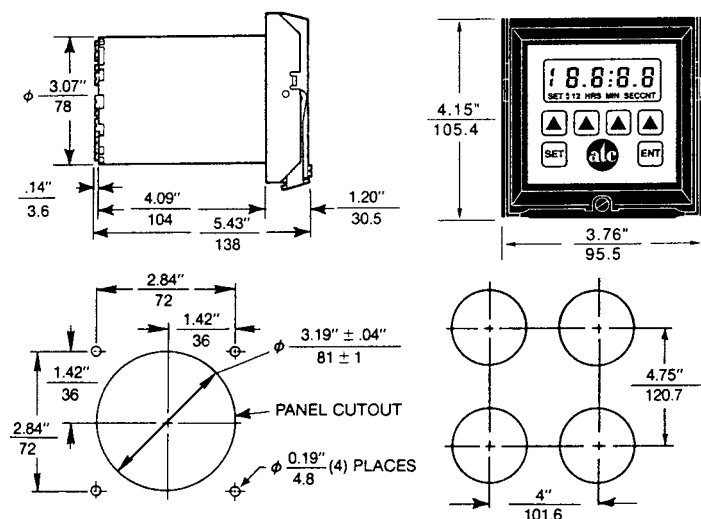
The timing range and mode are selected with an internal DIP switch. The time value is entered using the keypad on the front face. The programmed values are retained in memory and are secured in memory by a keypad lockout command. The keypad can also be used to perform secondary functions such as reset, immediate time out, time inhibit, changing the direction of the display, displaying the number of cycles run, and clearing the cycle counter.

The Model 652 is housed in a standard 15-terminal, plug-in, round case. Models are available for operation on either 120 VAC or 240 VAC.



### Multi-Function Multi-Range Timer

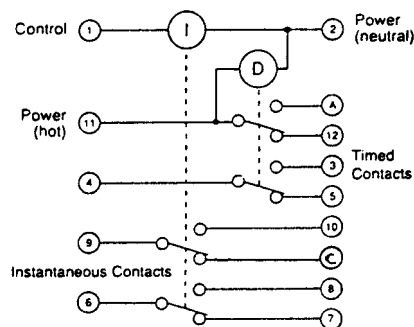
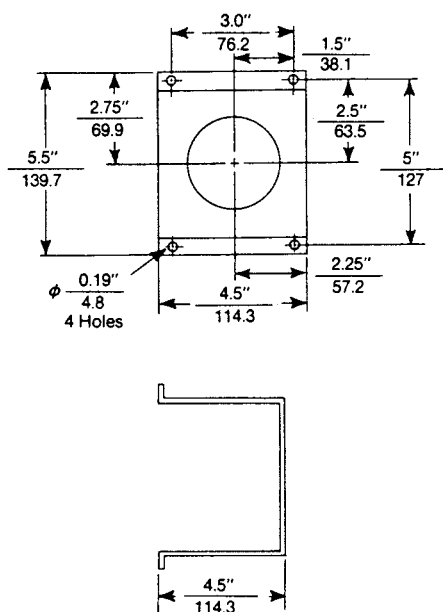
### DIMENSIONS (INCHES/MILLIMETERS)



- Five Time Ranges From 0.001 SEC
- Replaces Most Electro-Mechanical Timers
- Six Single-Cycle and Eight Repeat-Cycle Timing Modes
- Easy Programming 7/16" High LCD Display
- Sealed Faceplate
- Keypad Lockout of Time Setting
- Internal Cycle Counter
- Data Retention Memory with EEPROM Circuitry (652-8-2000, 652-8-2001 Models)
- Data Retention Memory with Lithium Battery (652-8-3000, 652-8-3001 Models)

### WIRING

model 600-3-3950 surface mounting bracket



## SPECIFICATIONS (ALL MODELS)

<b>TIMING RANGES</b>	0.001 SEC to 19.999 SEC 0.01 SEC to 199.99 SEC 0.1 SEC to 1999.9 SEC 1 SEC to 199 MIN 59 SEC 1 MIN to 199 Hr. 59 MIN
<b>MODE OF OPERATION</b>	ON-Delay, Interval, Reverse Start Delay Reverse Start Interval, Momentary Start Accumulator, Repeat Cycle-OFF First Repeat Cycle-ON First, Repeat Cycle Reverse Start-OFF First, Repeat Cycle Reverse Start-ON First, Repeat Pulse Repeat Pulse, First Pulse Immediate Repeat Pulse-Reverse Start, Repeat Pulse, First Pulse Immediate Reverse Start
<b>TIME SETTING</b>	Front Panel Keypad
<b>TIME REPEAT ACCURACY</b>	±0.005 SEC
<b>DISPLAY</b>	LCD - 4 1/2 Digit, 7/16" High
<b>RELAY MECHANICAL LIFE</b>	50,000,000 Operations
<b>INSTANTANEOUS RELAY OUTPUT</b>	7 Amps Resistive, 240 VAC, 2 N.O. 2 N.C. Contacts
<b>TIMED RELAY OUTPUT</b>	7 Amps Resistive, 240 VAC, 2 N.O. 2 N.C. Contacts
<b>TEMPERATURE RATING</b>	32° - 140°F (0° - 60°C)
<b>OPERATING POWER</b>	120 or 240 VAC, +10%, -20%, 50/60 Hz
<b>TRANSIENT VOLTAGE PROTECTION</b>	Metal Oxide Varistor
<b>NEMA RATING</b>	NEMA 12
<b>TERMINALS</b>	Screw Terminals
<b>MOUNTING</b>	Plug In Case
<b>WEIGHT</b>	Net: 25 oz. Shipping: 30 oz.

## SPECIFICATIONS (652-8-2000 & 652-8-2001)

<b>RESET TIME</b>	25 mSEC
<b>CONTROL VOLTAGE INITIATE TIME</b>	25 mSEC
<b>MEMORY</b>	EEPROM Circuitry
<b>POWER CONSUMPTION</b>	5.2 VA

## SPECIFICATIONS (652-8-3000 & 652-8-3001)

<b>RESET TIME</b>	8 mSEC
<b>CONTROL VOLTAGE INITIATE TIME</b>	8 mSEC
<b>MEMORY</b>	Lithium Battery
<b>POWER CONSUMPTION</b>	3.7 VA

## ORDERING INFORMATION

MODEL NUMBER	DESCRIPTION
652-8-2000	Plug-in, Round Case Timer 120 VAC W/EEPROM Memory
652-8-2001	Plug-in, Round Case Timer 240 VAC W/EEPROM Memory
652-8-3000	Plug-in, Round Case Timer 120 VAC W/Battery Memory
652-8-3001	Plug-in, Round Case Timer 240 VAC W/Battery Memory
651-3-0128	Mounting Gasket, 1/8" Thick (Included With Timer)
651-3-0129	Mounting Gasket, 1/4" Thick (Included With Timer)
600-3-3950	Base Mounting Bracket
652-3-0130	Replacement Lithium Battery (For -3000, -3001 Models)